

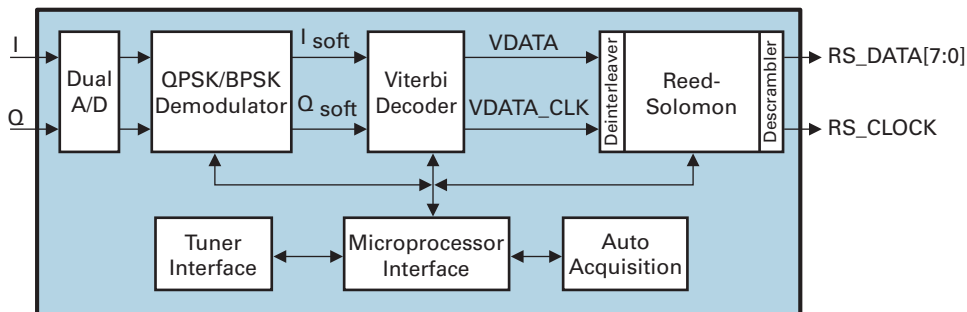


CX24123 Features

- DVB/DSS/DCII-compliant
- Symbol rates 1 to 45 Msps
- Internal PLL, only a single low-frequency crystal or clock is required
- Automatic acquisition
- ± 10 MHz acquisition range
- Carrier tracking: ± 5 MHz
- 6-bit Analog-to-Digital Converters (ADCs)
- 4-bit soft decision
- Digital matched filtering
- Multirate decimation filter
- Internal carrier and bit-timing recovery
- Boundary scan test function
- Serial or parallel output data interface
- External symbol clock reference
- Internal SNR and BER monitors
- DiSEqC™ level 2.x two-way Low-Noise Block Converter (LNB) control
- Power-down mode
- Quadrature equalization compensation
 - ± 3.0 dB gain imbalance
 - ± 13 -degree phase offset

CX24123 Applications

- DVB/DSS/DCII set-top box and PC receivers
- Residential gateways



CX24123 Block Diagram

© 2003, Conexant Systems, Inc. All Rights Reserved. Conexant and the Conexant logo are trademarks of Conexant Systems, Inc. All other trademarks are owned by their respective owners. Although Conexant strives for accuracy in all its publications, this material may contain errors or omissions and is subject to change without notice. **THIS MATERIAL IS PROVIDED AS IS AND WITHOUT ANY EXPRESS OR IMPLIED WARRANTIES, INCLUDING MERCHANTABILITY, FITNESS FOR A PARTICULAR PURPOSE AND NON-INFRINGEMENT.** Conexant shall not be liable for any special, indirect, incidental or consequential damages as a result of its use.

www.conexant.com
 General Information:
 U.S. and Canada: (800) 854-8099
 International: (949) 483-6996
 Headquarters – Newport Beach
 4311 Jamboree Rd, P.O. Box C
 Newport Beach, CA 92660-3095
 Order# 102134A

